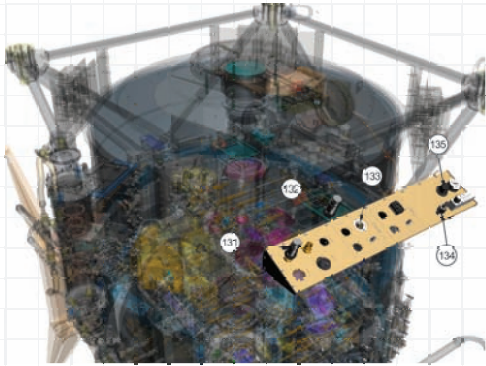
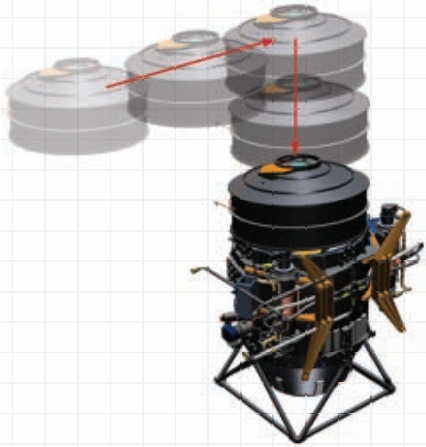


Your Technical Documentation Faster, Clearer & Better

**XVL Technical
Illustration Suite**
create 2D/3D illustrations



**XVL Technical
Collaboration Suite**
create interactive 3D documents



With Lattice Technology's XVL Suites
you will:*

Boost productivity

Increase customer satisfaction

Save time & money

Reduce outsourcing

Increase quality

Reduce rework

Shorten lead times

Train workers faster

Improve employee satisfaction

Increase your CAD data ROI

**Based on actual customers' feedback*

Complete solutions from:†

\$2,400 €1,862 £1,666 kr17,322

†Prices shown are for yearly license fee for XVL Technical Illustration Suite



LATTICE
TECHNOLOGY

Faster illustrations, clearer work instructions, digital or print delivery using your existing 3D CAD data



What would you do if you had twice the amount of time at work?

Create illustrations and work instructions in half the time... With useful tools and lighter files you can get your job done up to 80% faster.

Go green!



Deliver work instructions and other information electronically.

Did you know... every ton of paper that is recycled saves 7,000 gallons of water; 380 gallons of oil; and enough electricity to power an average house for six months.

Do you think your CAD files are too large to be used for downstream applications?



Think again – unleash their power with XVL, an ultra lightweight 3D format that enables the best 3D compression rates with no loss of data accuracy - between 50 to 200 times smaller!

You don't have a CAD license...

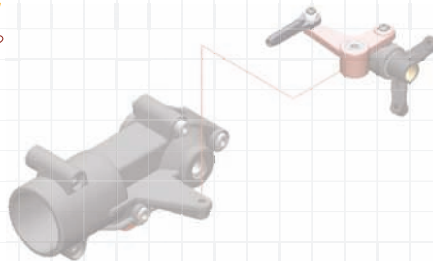


No problem, no need to recreate data to generate quality documentation. Create illustrations using any 3D CAD format or use yours to drive productivity improvements.

XVL Technical Illustration Suite

create 2D/3D illustrations

Import 3D CAD files
Automatically generate technical illustrations & images
product manuals • parts catalogs • instruction & service manuals...



Complete solutions from:†

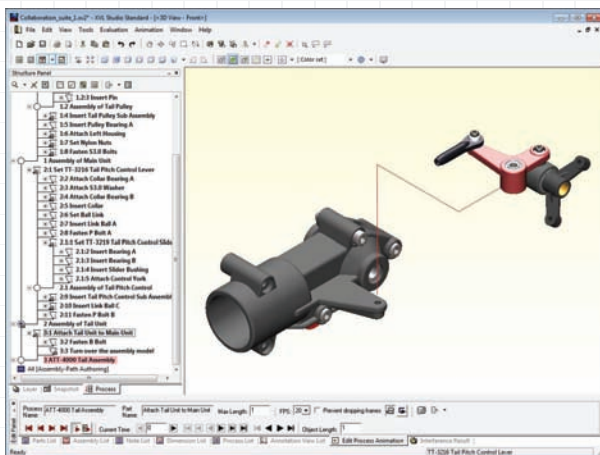
\$2,400

€1,862

£1,666

kr17,322

†Prices shown are for yearly license fee for XVL Technical Illustration Suite



XVL Technical Collaboration Suite

create interactive 3D documents

Import 3D CAD files
Create and publish process animations
Automatically generate technical illustrations & images
work instructions • product manuals • parts catalogs • instruction & service manuals...

Call us now at +1 (415) 274-1676



LATTICE
TECHNOLOGY